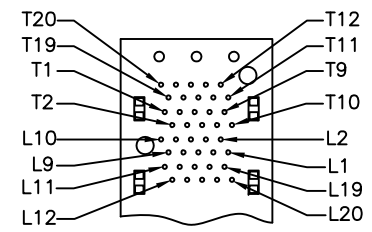
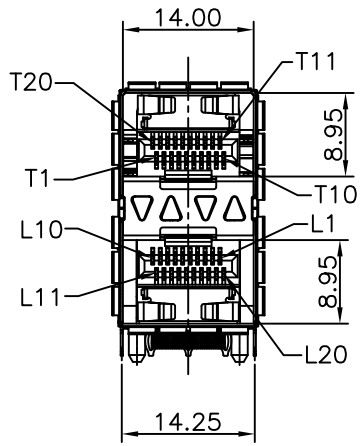
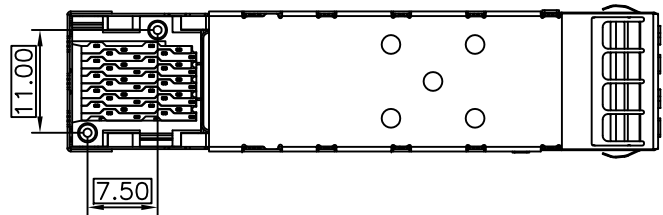
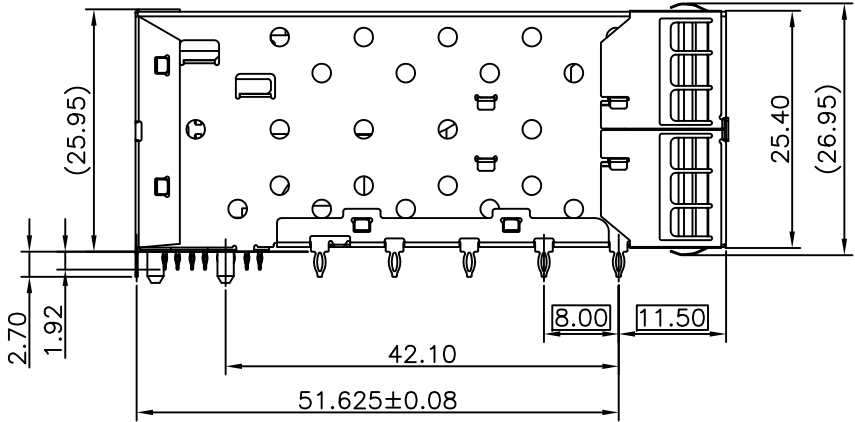
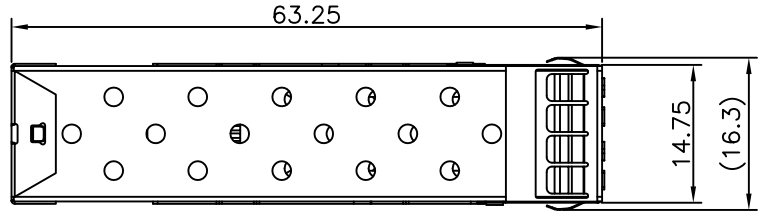


NOTES:

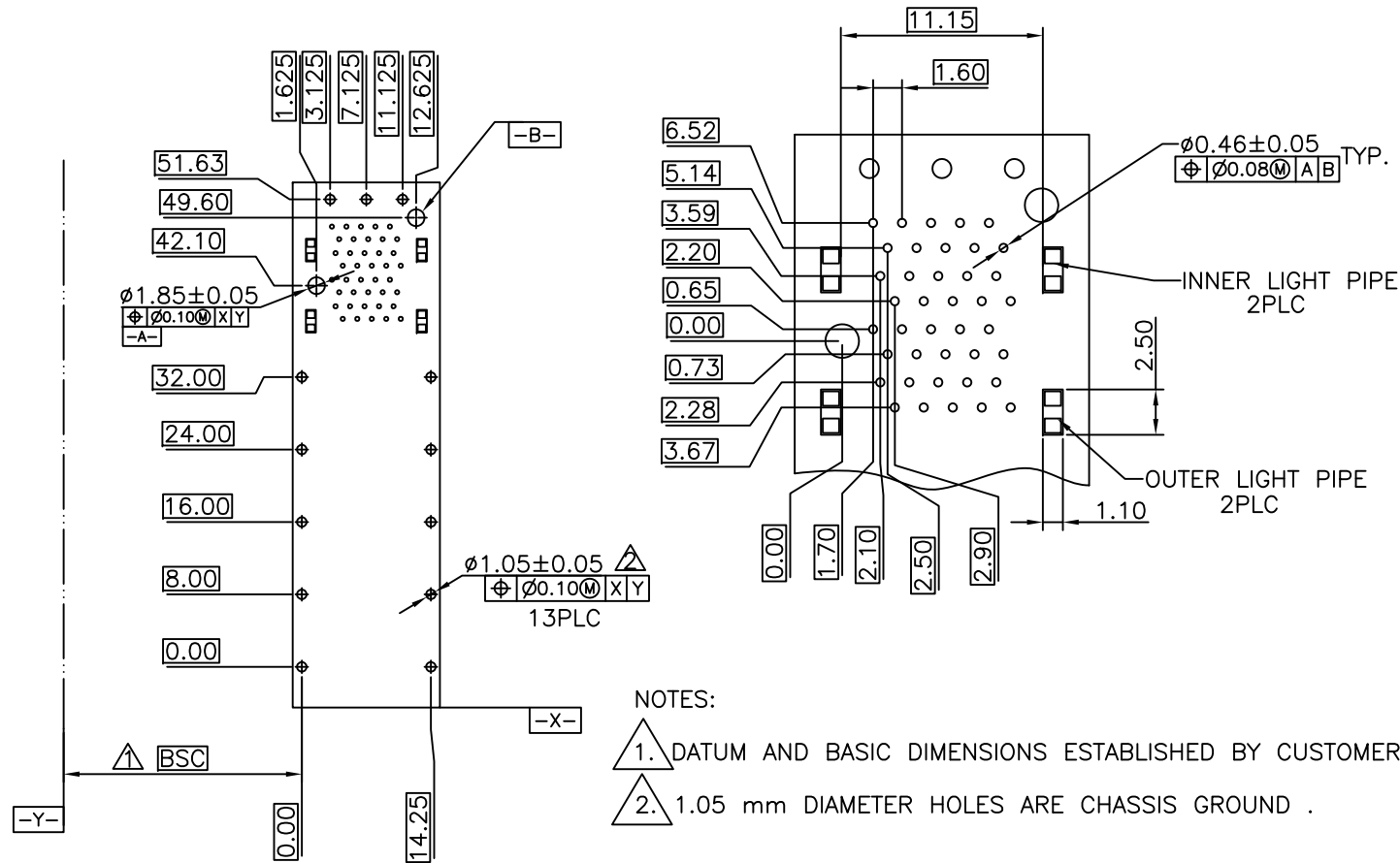
MATERIAL:
 CAGE: NICKEL SILVER
 CONNECTOR:
 PLASTIC HOUSING: HIGH TEMPERATURE LCP, UL94 V-0.
 LIGHT PIPE: POLYCARBONATE; COLOR: CLEAR
 SPRING: STAINLESS STEEL
 CONTACTS: PHOSPHOR BRONZE
 CONTACT PLATING: 15u" MIN. GOLD ON MATING AREA,
 150u" MATTE TIN ON SOLDER TAILS
 PACKAGING: TRAY PACKAGING.
 TEMPERATURE RANGE: -40°C TO +85°C



CONNECTOR PIN-OUT
 COMPONENT SIDE OF BOARD

TITLE				乐清市弘宇电子有限公司					
SFP+ 2X1 CAGE+CONNECTOR									
PART NO.				GENERAL TOLERANCE		UNIT:MM	SIZE: A4		
HH10-2N3A230-04B									
DRAW	IROR	DATE	2017-03-16	.X±0.20	.X±1'	SCALE: 1:1		SHEET:1/3	REV:A
CHECK	IROR	DATE	2017-03-16	.XX±0.15	.XX±5'				
APPROVE	DE	DATE	2017-03-16	.XXX±0.10					

RoHS COMPLIANT

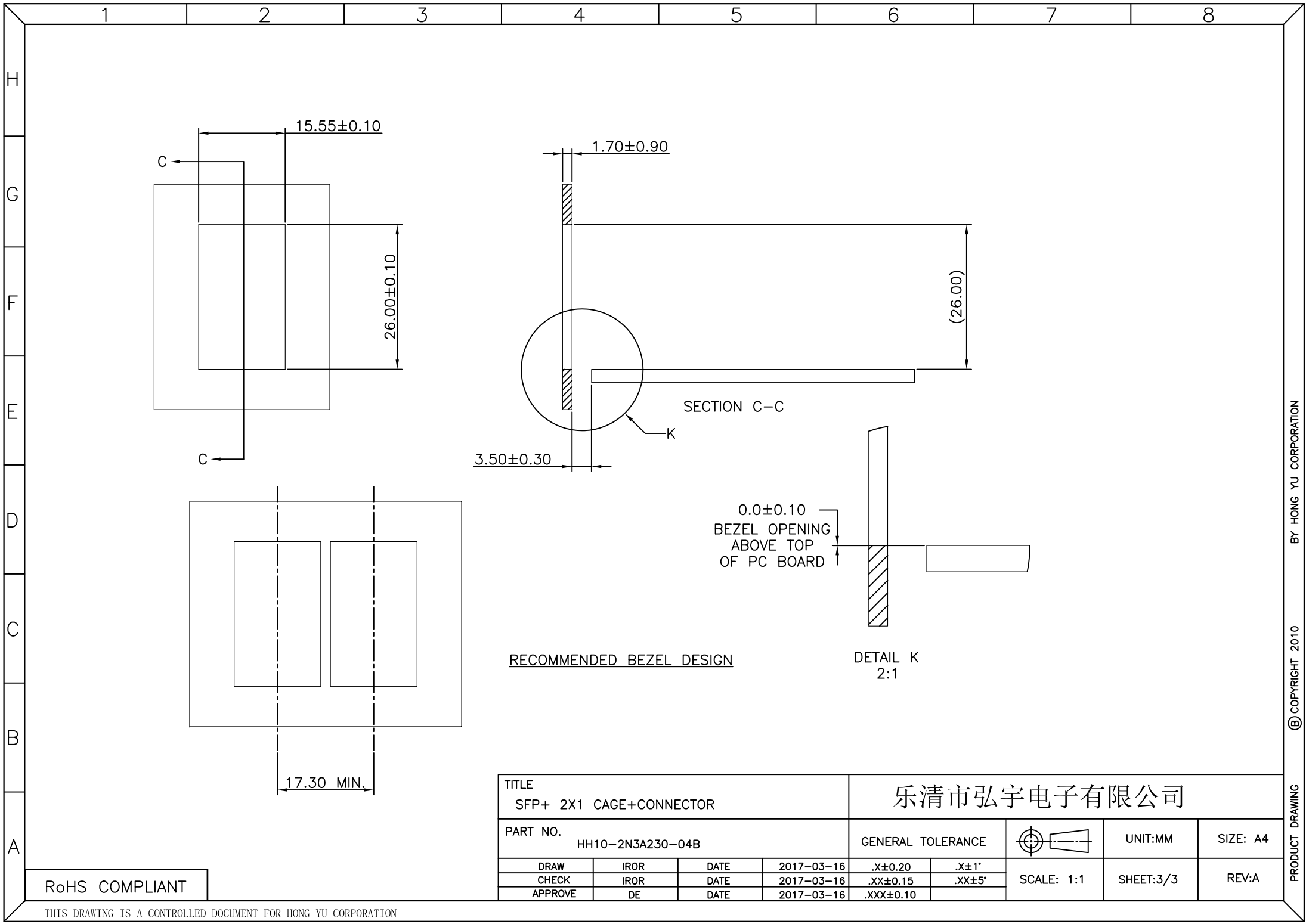


- NOTES:
1. DATUM AND BASIC DIMENSIONS ESTABLISHED BY CUSTOMER.
 2. 1.05 mm DIAMETER HOLES ARE CHASSIS GROUND .

ECOMMENDED PCB CONFIGURATION

TITLE SFP+ 2X1 CAGE+CONNECTOR				乐清市弘宇电子有限公司				
PART NO. HH10-2N3A230-04B				GENERAL TOLERANCE			UNIT:MM	SIZE: A4
DRAW	IROR	DATE	2017-03-16	.X±0.20	.X±1'	SCALE: 1:1	SHEET:2/3	REV:A
CHECK	IROR	DATE	2017-03-16	.XX±0.15	.XX±5'			
APPROVE	DE	DATE	2017-03-16	.XXX±0.10				

RoHS COMPLIANT



H
G
F
E
D
C
B
A

1 2 3 4 5 6 7 8

RoHS COMPLIANT

TITLE SFP+ 2X1 CAGE+CONNECTOR				乐清市弘宇电子有限公司				
PART NO. HH10-2N3A230-04B				GENERAL TOLERANCE			UNIT:MM	SIZE: A4
DRAW	IROR	DATE	2017-03-16	.X±0.20	.X±1'	SCALE: 1:1	SHEET:3/3	REV:A
CHECK	IROR	DATE	2017-03-16	.XX±0.15	.XX±5'			
APPROVE	DE	DATE	2017-03-16	.XXX±0.10				