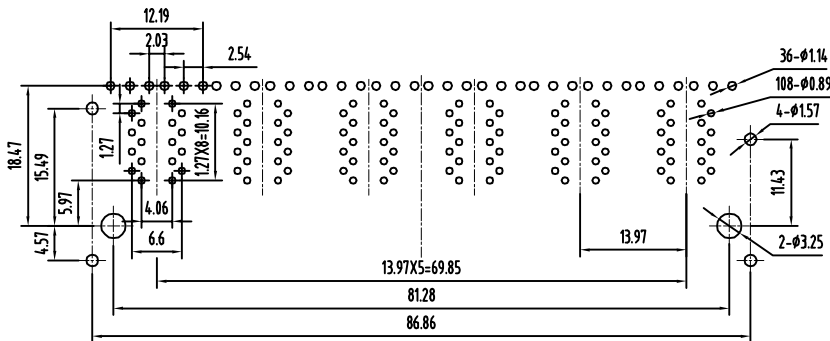
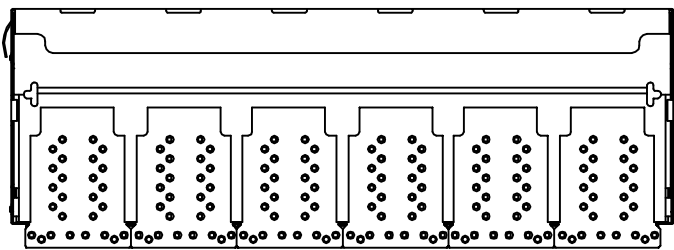
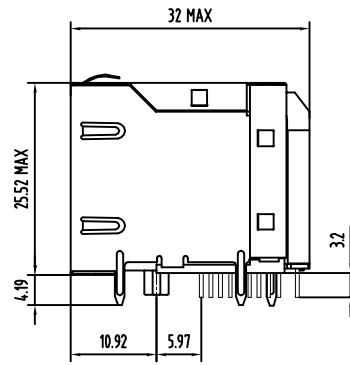
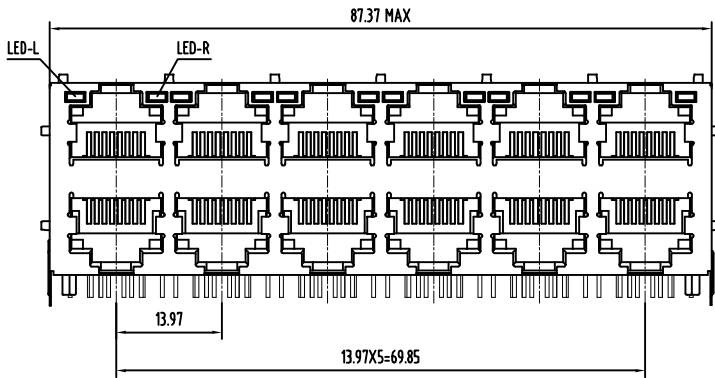
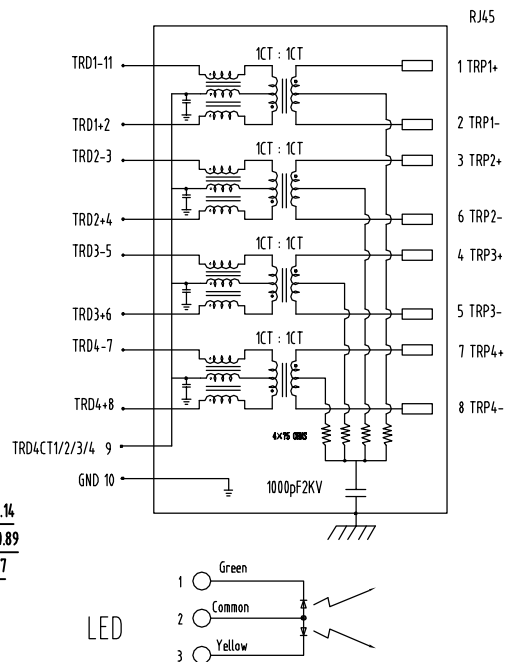


5T SERIES 10/100 BASE-T CONNECTOR

HY5TI88-6X1XXX



PC Board Layout
Component Side Shown



ORDERING INFORMATION

5T SERIES 2XN TRANSFORMER JACK HYSTI X X - X X X X X X

POSITIONS	CONTACTS	PORTS	LED STYLE	SHIELD	PLASTIC	LOGO	GOLD PLATING
8-8 POSITIONS	2-2 CONTACTS 4-4 CONTACTS 6-6 CONTACTS 8-8 CONTACTS	1-2X1 2-2X2 4-2X4 5-2X5 6-2X6 8-2X8	0-W/O LED 1-Y/G 2-G/Y 3-R/G 4-G/R 5-Y/Y 6-G/G	0-W/O SHIELD 1-SHIELD W/ EMI 2-SHIELD W/O EMI	1-PBT 2-NYLON66 3-NYLON46	0-W/O LOGO 1-W/ HYE 2-W/ UL 3-W/ HYE&UL	1-15u" 2-3u" 3-6u" 4-15u" 5-30u" 6-50u"